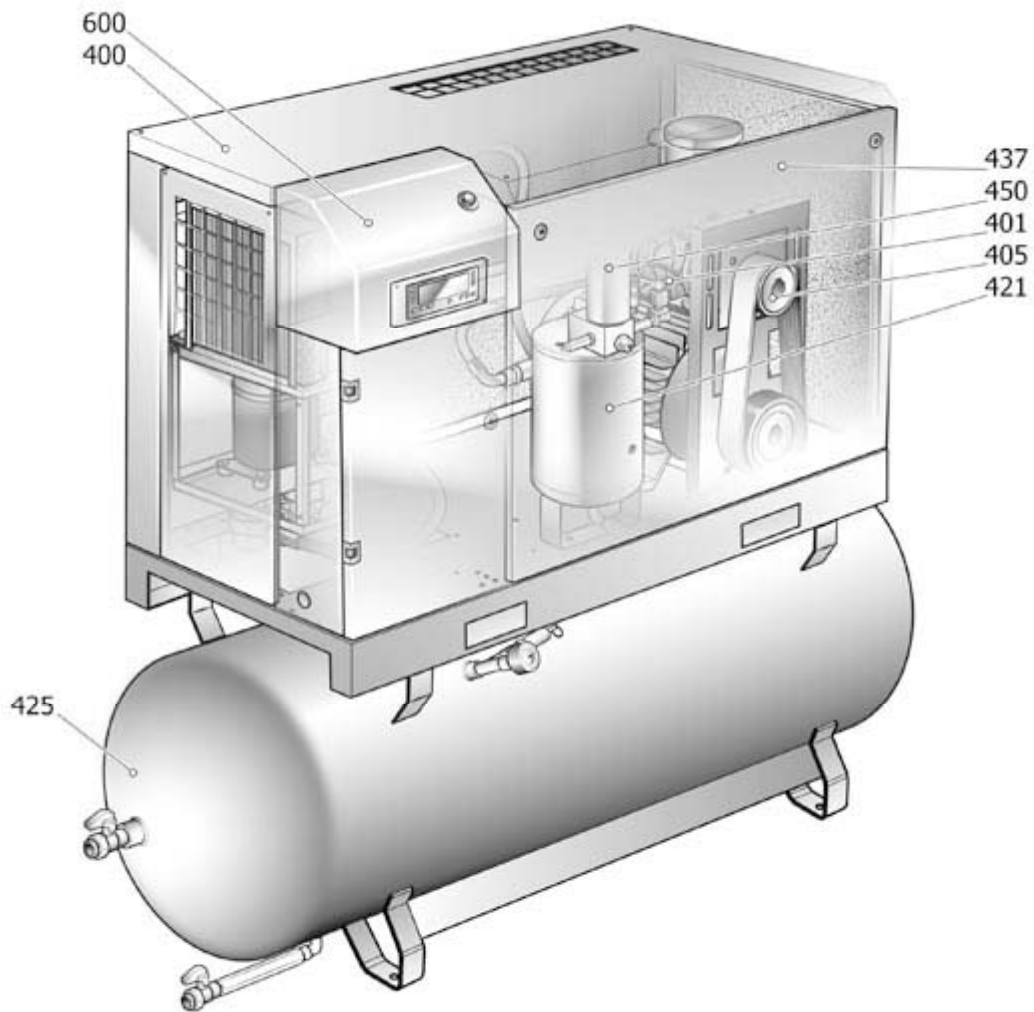


SSHR1

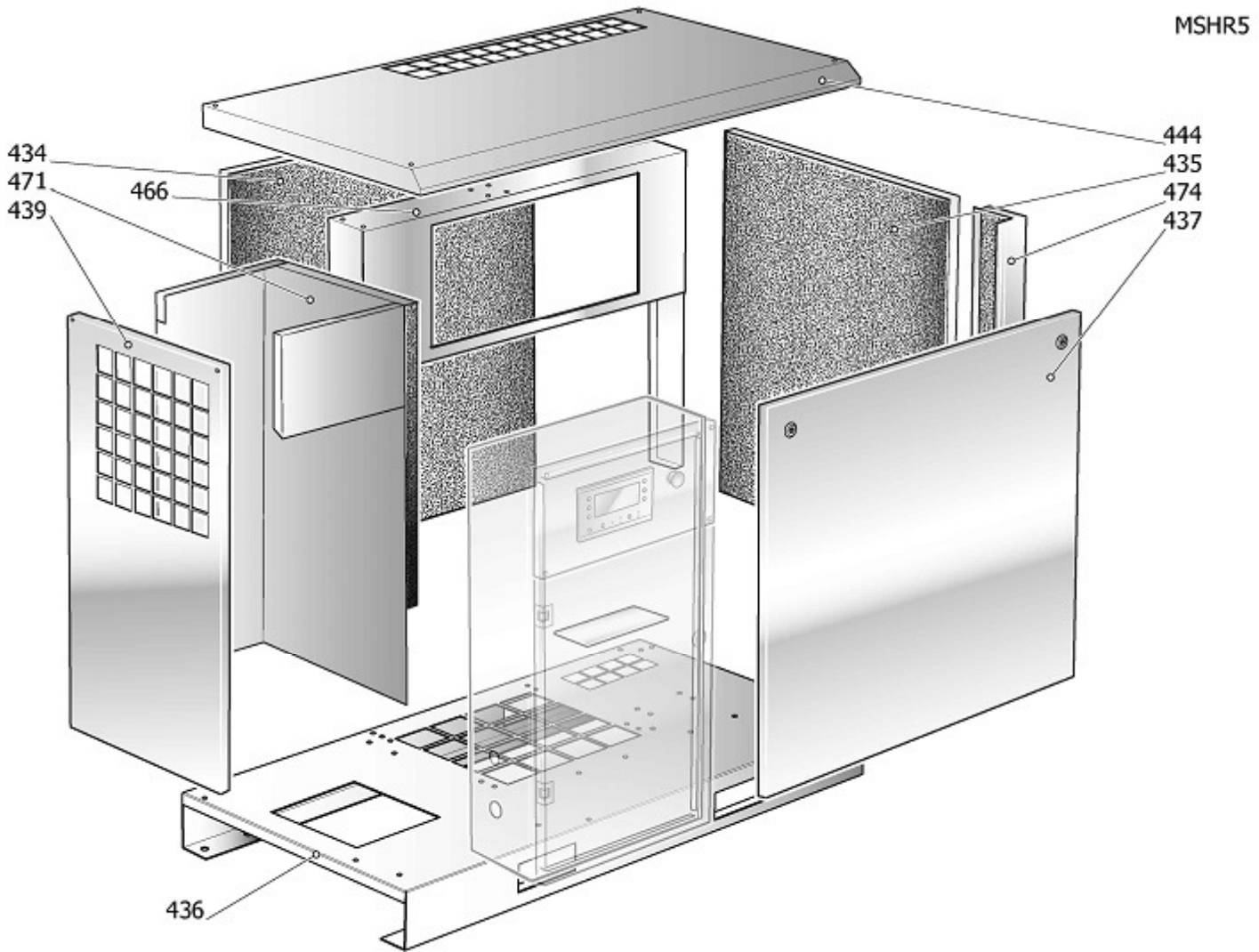




V83SP97N2N544

STAR 11-10-500 ES VS (IE3)

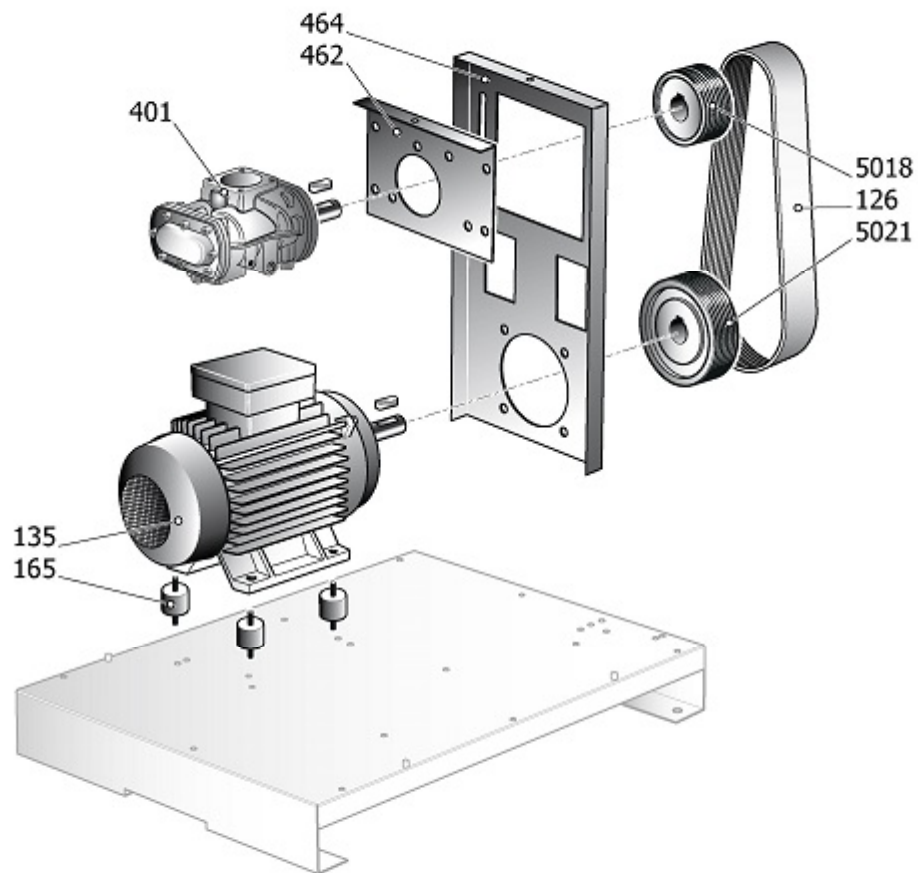
Pos	Component	MU	Multiplier
164	4101290	PZ	1,0
400			
405			
425			
450			
600	#460SP0170V44	PZ	1,0
1000			





## COMPLETE HOUSING

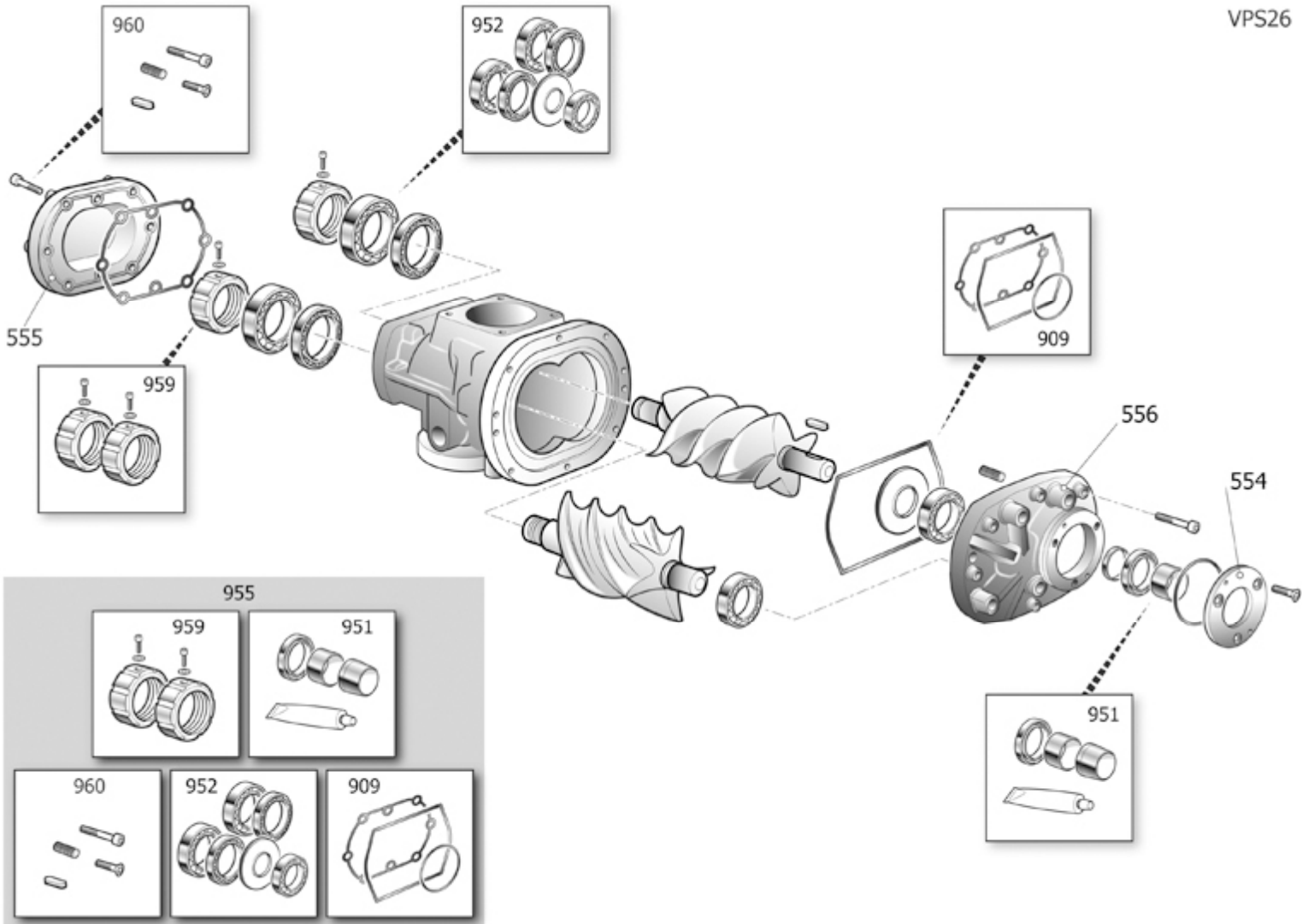
Pos	Component	MU	Multiplier
434	#_260SP0036V44 REAR PANEL	PZ	1,0
435	#_260SP0007V44 RH REAR PANEL	PZ	1,0
436	#_160SP0027V44 BASE PLATE	PZ	1,0
437	#_260SP0040V64 FRONT DOOR	PZ	1,0
439	#_260SP0093V44 LH REAR PANEL	PZ	1,0
444	#_260SP0091V44 UPPER PANEL	PZ	1,0
466	#_160SP0003V44 CENTRAL PANEL	PZ	1,0
471	#_260SP0092V44 INS.VANO ES.VISON 11VS 7016B	PZ	1,0
474	#_260SP0004V44 FRONT POST RH	PZ	1,0
497	#_160SP0030V44 PREFILTER	PZ	1,0





## TRANSMISSION COMPONENTS

Pos	Component	MU	Multiplier
126	#045122000 POLY V BELT	PZ	1,0
135	#540M073622E3 MOTOR	PZ	1,0
165	#020198000 VIBRATION DAMPER TIPO A 50/40	PZ	4,0
401	#5303000110 AIR END	PZ	1,0
462	#160SG0002V17 SCREW-MOTOR PLATE	PZ	1,0
464	#160NM0011V17 SCREW PLATE	PZ	1,0
5018	#140259004 PULLEY 90-L6+1215-28	PZ	1,0
5021	#140356004 PULLEY 132-L6-38	PZ	1,0





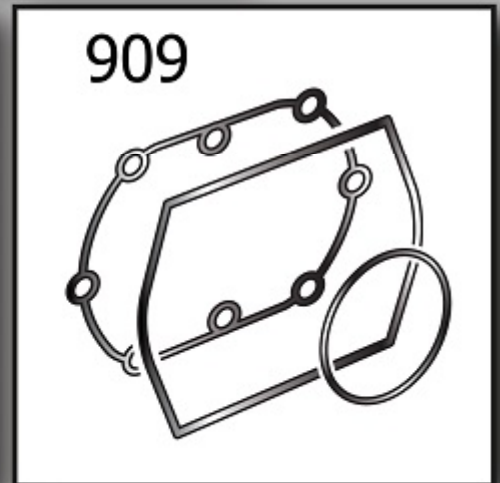
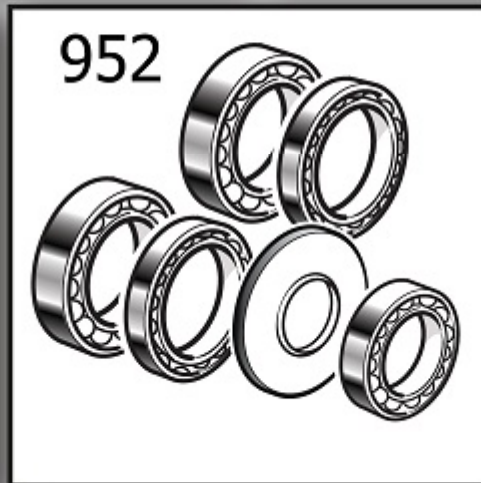
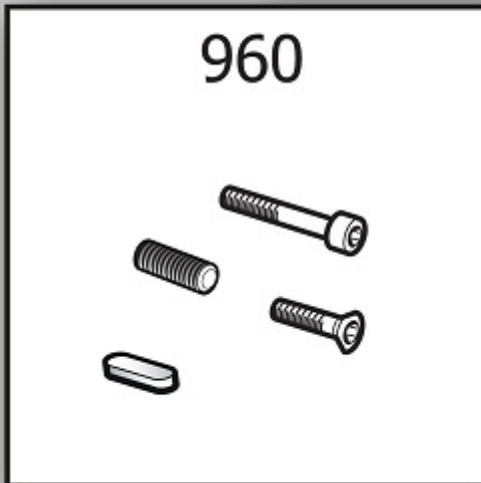
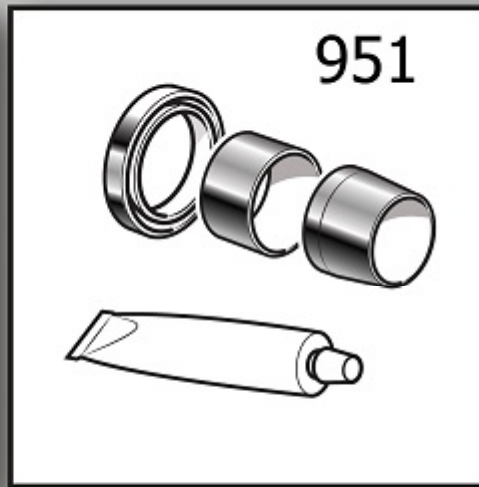
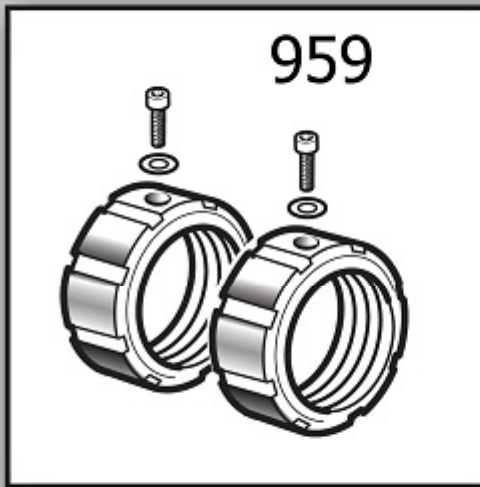
[5303000110

AIR END

Pos	Component	MU	Multiplier
554	#130300013	SEAL SUPPORT	PZ 1,0
555	#030300003	REAR COVER	PZ 1,0
556	#130300077	BELL/FRONT SUPPORT	PZ 1,0
955	#230300200	AIR END OVERHAUL KIT	PZ 1,0



955



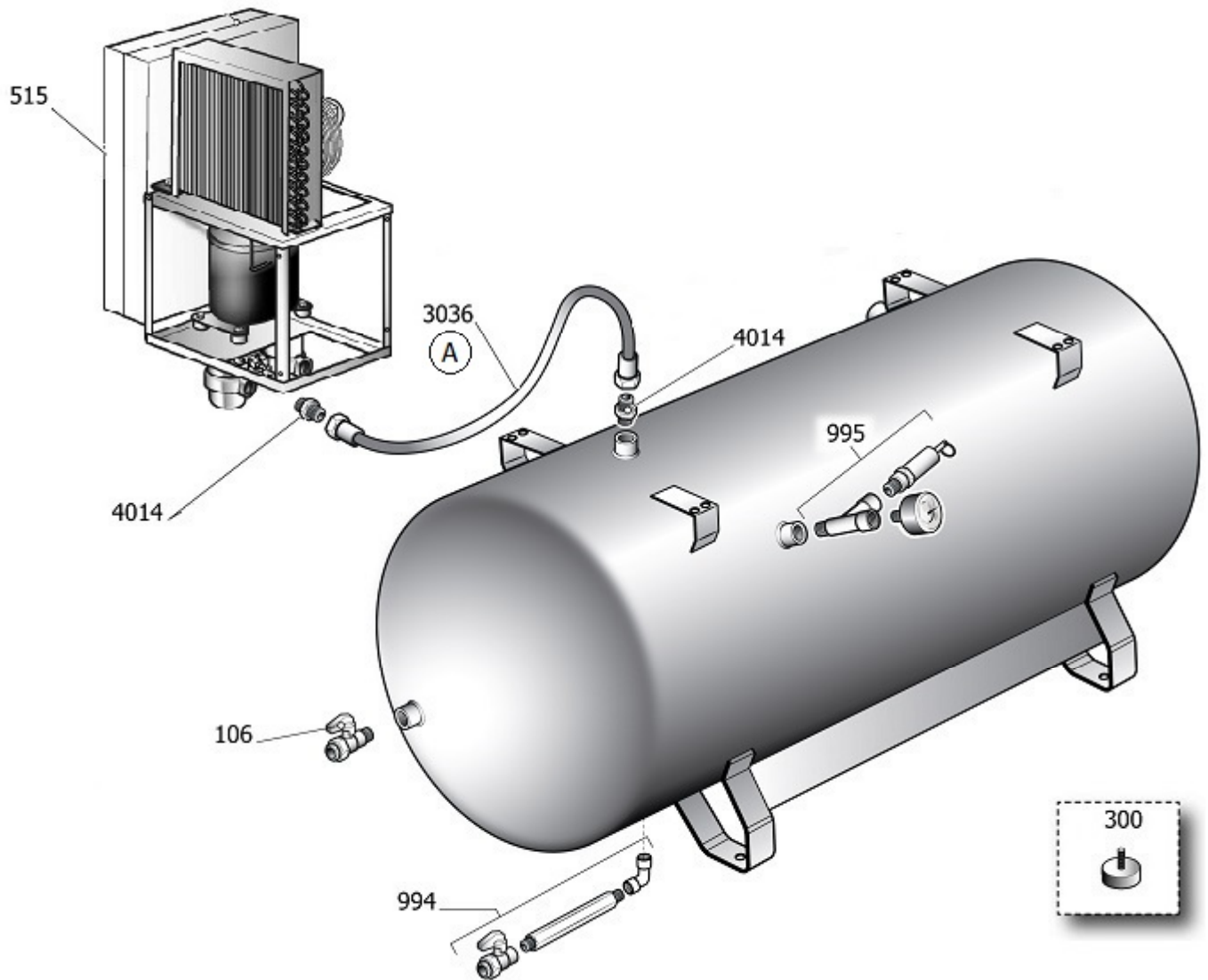


[230300200

AIR END OVERHAUL KIT

Pos	Component	MU	Multiplier
909	#230300250	KIT GASKET FS26TF/TFC/TM/TMC	PZ 1,0
951	#230300240	SEAL KIT	PZ 1,0
952	#230300230	BEARING KIT	PZ 1,0
959	#230300210	RING NUT KIT	PZ 1,0
960	#230300220	BOLTS AND SCREWS KIT	PZ 1,0

LSRR3

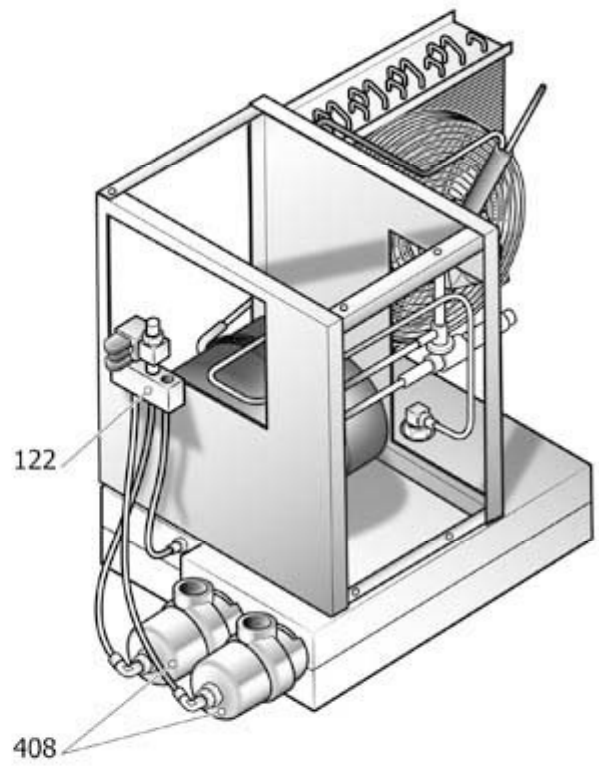
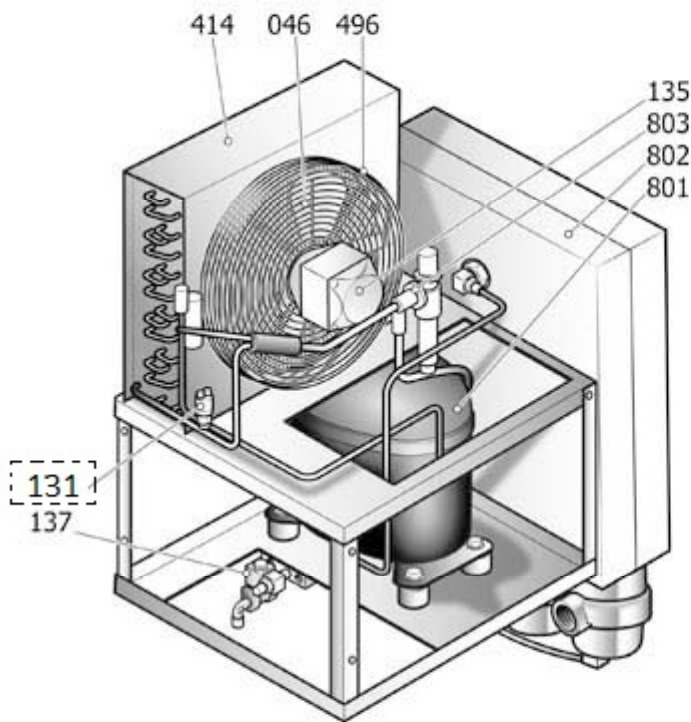




## TANK COMPONENT

Pos	Component	MU	Multiplier
106	#322031000	LINE COCK	PZ 1,0
300	41K0174	WHEELS/FEET MOUNTING KIT	PZ 1,0
515	#048520000	DRYER	PZ 1,0
994	9421512	CONDENSATE DRAIN KIT	PZ 1,0
995	9421739	KIT MN+VS 11B S_500-S_270 PLUS	PZ 1,0
3036	#160SP0024	TUBO FLX 3/4 BSP 2FD L440	PZ 1,0
4014	#011000416	RACC.ADT.MM 3/4" OR-BSP	PZ 2,0

HSNR1

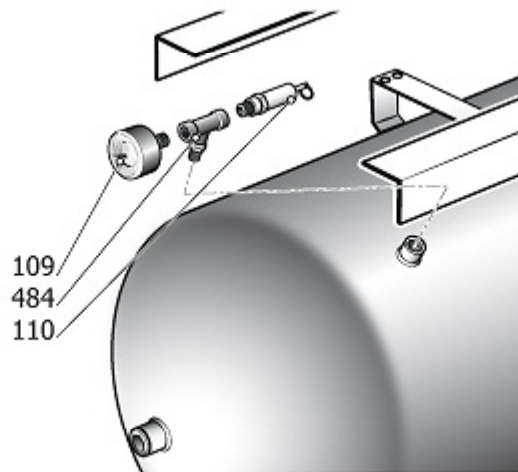




[048520000

DRYER

Pos	Component	MU	Multiplier
46	#048520007	FAN	PZ 1,0
122	#048519017	SINGLE-ACTING VALVE	PZ 1,0
135	#048520003	MOTOR	PZ 1,0
137	#048516001	SOLENOID VALVE	PZ 1,0
408	9058083	CARTUCCIA PER FILTRO PFC 34	PZ 1,0
414	#048520002	AIR RADIATOR	PZ 1,0
496	#048520004	FAN GRILLE	PZ 1,0
601	#048519015	TEMP. PROBE	PZ 1,0
801	#048520016	COMPRESSOR FOR DRYER	PZ 1,0
802	#048520006	ALU-DRY MODULE	PZ 1,0
803	#048519007	PILOT VALVE	PZ 1,0





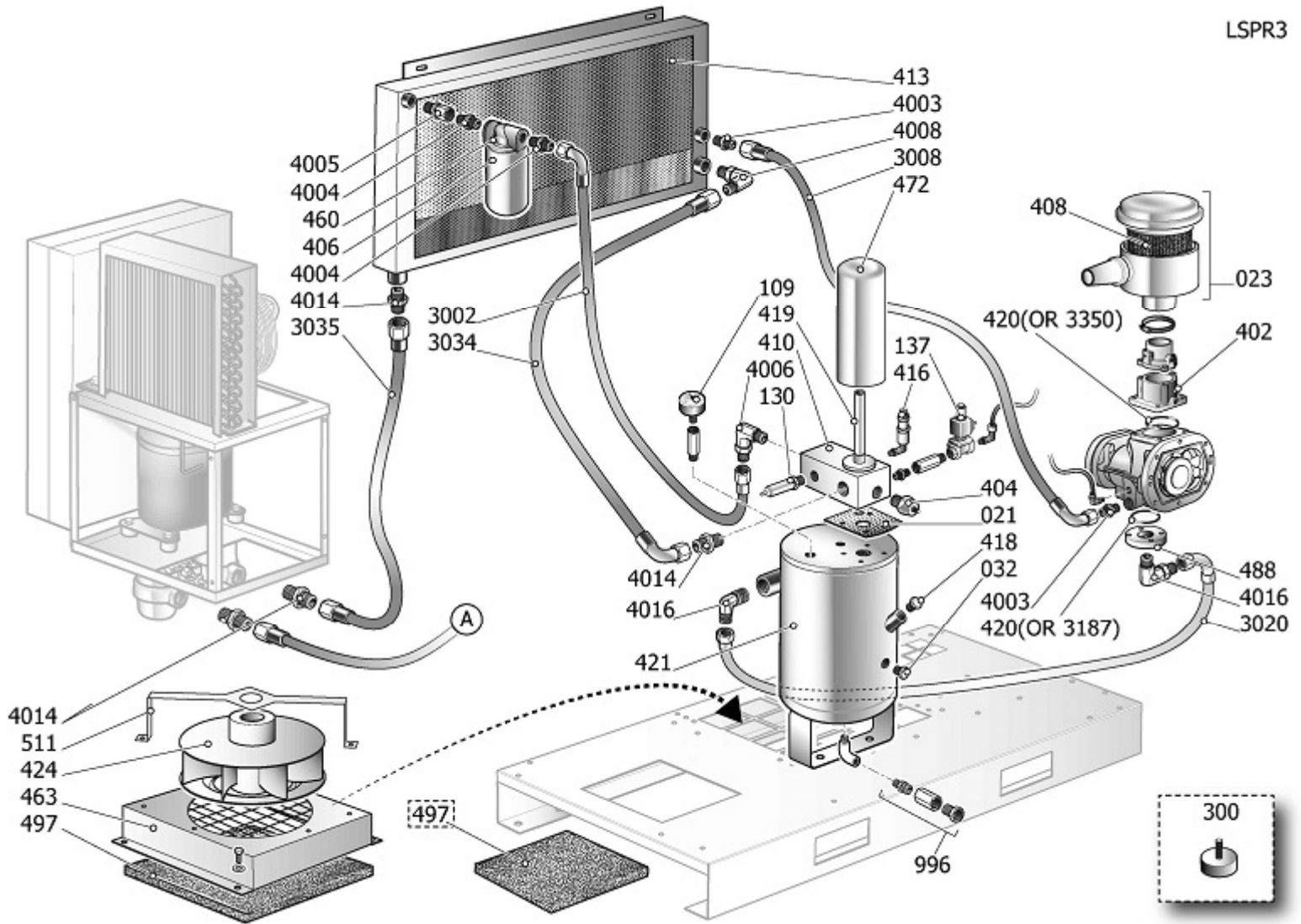
9421739

KIT MN+VS 11B S\_500-S\_270 PLUS

Pos	Component	MU	Multiplier
109	9052802	PZ	1,0
110	9049307	PZ	1,0
484	4101206	PZ	1,0



LSPR3



Pos	Component	MU	Multiplier
21	#151JO0021	OIL SEPARATOR SEAL MICRO	PZ 1,0
23	#317090000	AIR FILTER ASSEMBLY	PZ 1,0
32	9411267	OIL LIGHT	PZ 1,0
109	#330060100	PRESSURE GAUGE	PZ 1,0
130	9049309	RELIEF VALVE	PZ 1,0
137	#008195120	SOLENOID VALVE	PZ 1,0
402	#419260110	INTAKE REGULATOR	PZ 1,0
404	#347111000SGL	MIN. PRESSURE VALVE	PZ 1,0
406	9054201	OIL FILTER	PZ 1,0
408	#017093000	AIR FILTER CARTRIDGE 8UM D101	PZ 1,0
410	#460SP0035	AIR-OIL SEPARATOR BLOCK	PZ 1,0
413	#048522000	AIR-OIL RADIATOR	PZ 1,0
416	#012120000	OIL LIGHT	PZ 1,0
418	#011999008	TAPPO ESAG.M3/4" C/SFIATO+GRN	PZ 1,0
419	#011376000	AIR-OIL SEPARATOR NIPPLE	PZ 1,0
420	\$30502700	OR VITON 3187 BROWN UNDER COOL	PZ 1,0
420	#010123000	O RING 2093 VITON	PZ 1,0
420	#010124000	O RING 2087 VITON	PZ 1,0
421	#160NM0037V41	OIL SEPARATOR TANK	PZ 1,0
424	#024118015	ELECTRIC FAN	PZ 1,0
460	#160JL0111	OIL FILTER HEAD	PZ 1,0
463	#160SN0001V44	FAN COVER	PZ 1,0
472	#048287000	SEPARATOR FILTER	PZ 1,0
488	#160NM0012	FLANGE, DELIVERY END	PZ 1,0
497	#160SP0019	PREFILTER	PZ 1,0
511	#160PU0118V44	STAFFA SUP.VENT.RAD.D280 7016B	PZ 1,0
705	#419260110SGL	GR.ASP.30DC PLS 11-16 C/BP (1)	PZ 1,0
996	9421785	KIT RUB.SCARICO DIS.1/2"	PZ 1,0
3002	#191LX0010	TUBE FLEX 1/2"BSP FD+F90 L440	PZ 1,0
3008	#151PO0032	SEND.PIPE FLEX 1/2" 320MM	PZ 1,0
3020	#160NM0014	DELIVERY OIL TUBE FF1" TANK SE	PZ 1,0
3034	#160SP0022	TUBO FLX 3/4 BSP FD+F90 L800	PZ 1,0
3035	#160SP0023	TUBO FLX 3/4 BSP 2FD L760	PZ 1,0
4003	#011000417	RACC.ADT.MM 1/2" OR-BSP	PZ 2,0
4004	#011000418	RACC.ADT.MM 1/2" BSP	PZ 2,0
4005	#011100002	RACC.ADT.MF 1/2" GIR	PZ 1,0
4006	#011000411	RACC.ADT.90\$MM 1/2"OR-BSP	PZ 1,0
4008	#011000410	RACC.ADT.90\$MM 3/4"OR-BSP	PZ 1,0
4014	#011000416	RACC.ADT.MM 3/4" OR-BSP	PZ 3,0
4016	#011443000	L FITTING MM R1+OR VITON	PZ 2,0
4041	#011000158	STRAIGHT FITTING M5 X PIPE D6	PZ 1,0



[419260110

INTAKE REGULATOR



[419260110

INTAKE REGULATOR

Pos	Component		MU	Multiplier
420	#010093000	O-RING 3350 90X2,65	PZ	1,0
957	#260260050	INTAKE VALVE KIT	PZ	1,0
966	#419261003	KIT MOLLA MARCIA VUOTO IR10-30	PZ	1,0



[419260110SGL

GR.ASP.30DC PLS 11-16 C/BP (1)



[419260110SGL

GR.ASP.30DC PLS 11-16 C/BP (1)

Pos	Component		MU	Multiplier
420	#010093000	O-RING 3350 90X2,65	PZ	1,0
703	#199260020	FLANGE AIR FILTER IR30DC D50	PZ	1,0
957	#260260050	INTAKE VALVE KIT	PZ	1,0



9421785

KIT RUB.SCARICO DIS.1/2"

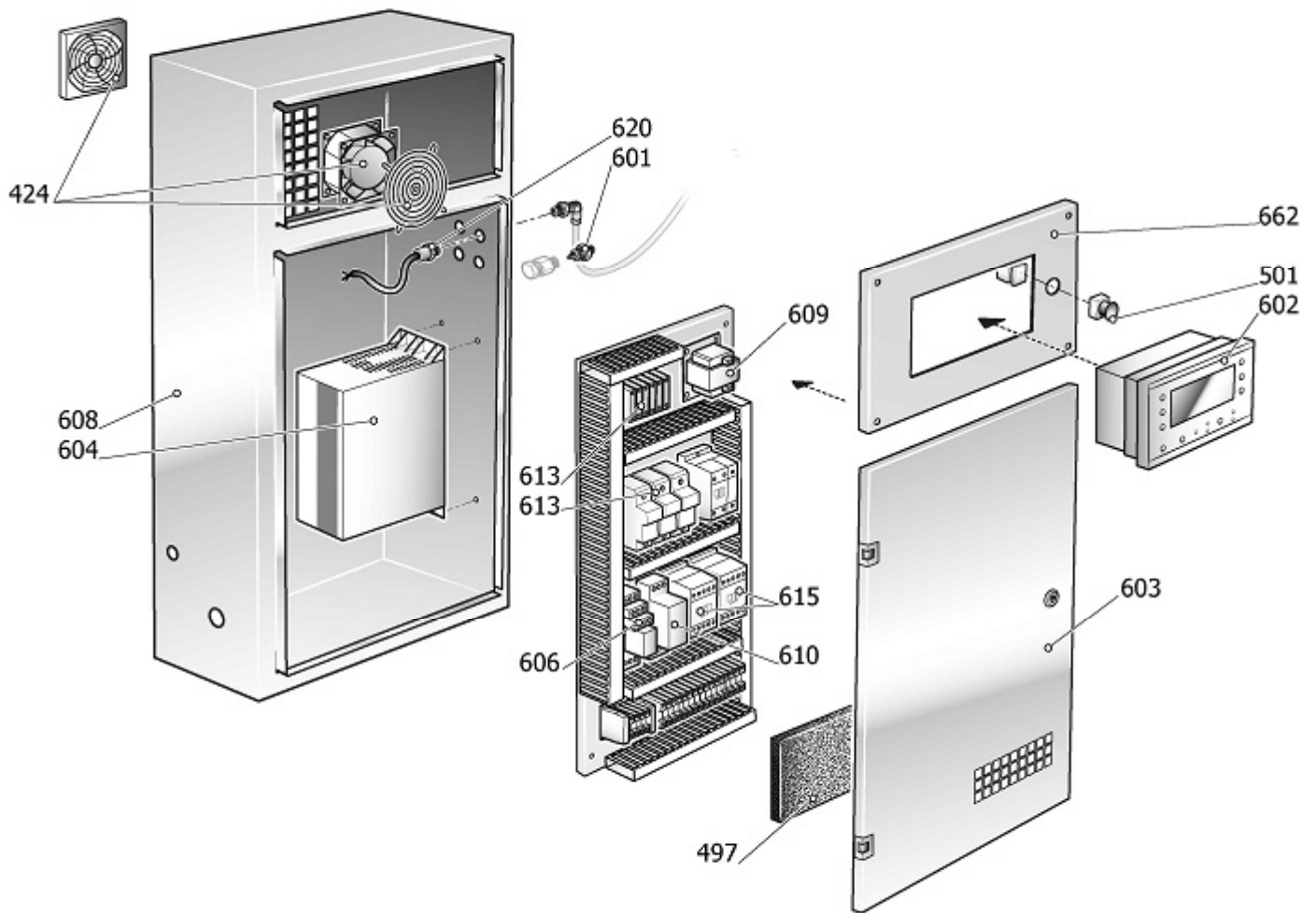


9421785

KIT RUB.SCARICO DIS.1/2"

Pos	Component		MU	Multiplier
60	9417355	COVER SEAL	PZ	1,0
106	#322056010	LINE COCK	PZ	1,0
417	#012122000	OIL PLUG	PZ	1,0
4012	#011000409	RACC.ADT.MM 1/2" CON-BSP	PZ	1,0





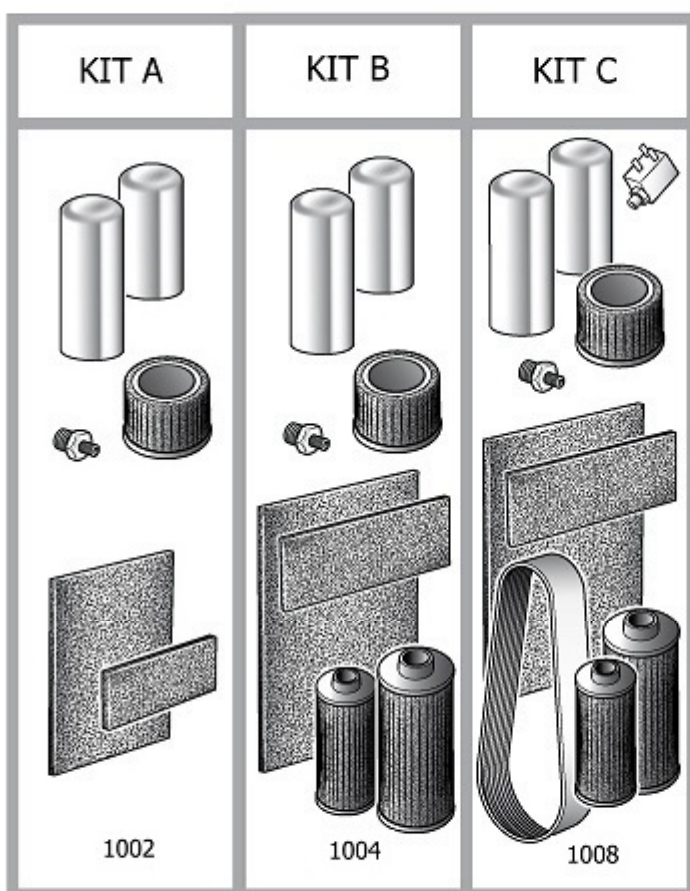


[460SP0170V44

ELECTRIC CABINET

Pos	Component	MU	Multiplier
424	EOP270KIT781	ELECTRIC FAN	PZ 1,0
497	#160PV0006	PREFILTER	PZ 1,0
501	EOP270KIT216	E-STOP BUTTON	PZ 1,0
601	#008333000	TEMP. PROBE	PZ 1,0
602	#305420000SGL	CONTROLLER	PZ 1,0
603	#160PV0009V44	ELECTRIC COMPT. DOOR	PZ 1,0
604	#405424008	INVERTER	PZ 1,0
604	#405424010	INVERTER	PZ 1,0
604	#405424013	INVERTER	PZ 1,0
609	E0M14110428	TRANSFORMER	PZ 1,0
610	E0M040004	PHASE SEQUENCE RELAY	PZ 1,0
613	E0M11WEBGG00	FUS.10X38-0.5A CH10	PZ 2,0
613	E0M11WEBGG02	FUS.10X38-2A CH10	PZ 6,0
613	E0M11WEBGG032	FUS.14X51-32 CH14	PZ 6,0
613	E0M11WEB152	FUSE	PZ 2,0
613	E0M11WEB452	FUS.5X20-4A RT VTR	PZ 2,0
615	E0M013210	CNT.S00 9A 24V 3RT2016-1AB02	PZ 2,0
615	E0M013665	CNT.S0 32A 24V 3RT2027-1AC20	PZ 1,0
620	#008167010	TRANSDUCER	PZ 1,0
662	#160SP0043V44	CONTROL.FRAME ETIV	PZ 1,0

LLK47





## LONG LIFE KIT LIST

<b>Pos</b>	<b>Component</b>		<b>MU</b>	<b>Multiplier</b>
1002	#260KTB6AE	LLK A KLV 11-15	PZ	1,0
1004	#260KTB43E	LLK B VKV 11/8-10 VS ES	PZ	1,0
1008	#260KTE1UE	LLK C VKV 11 08/10 VS ES	PZ	1,0